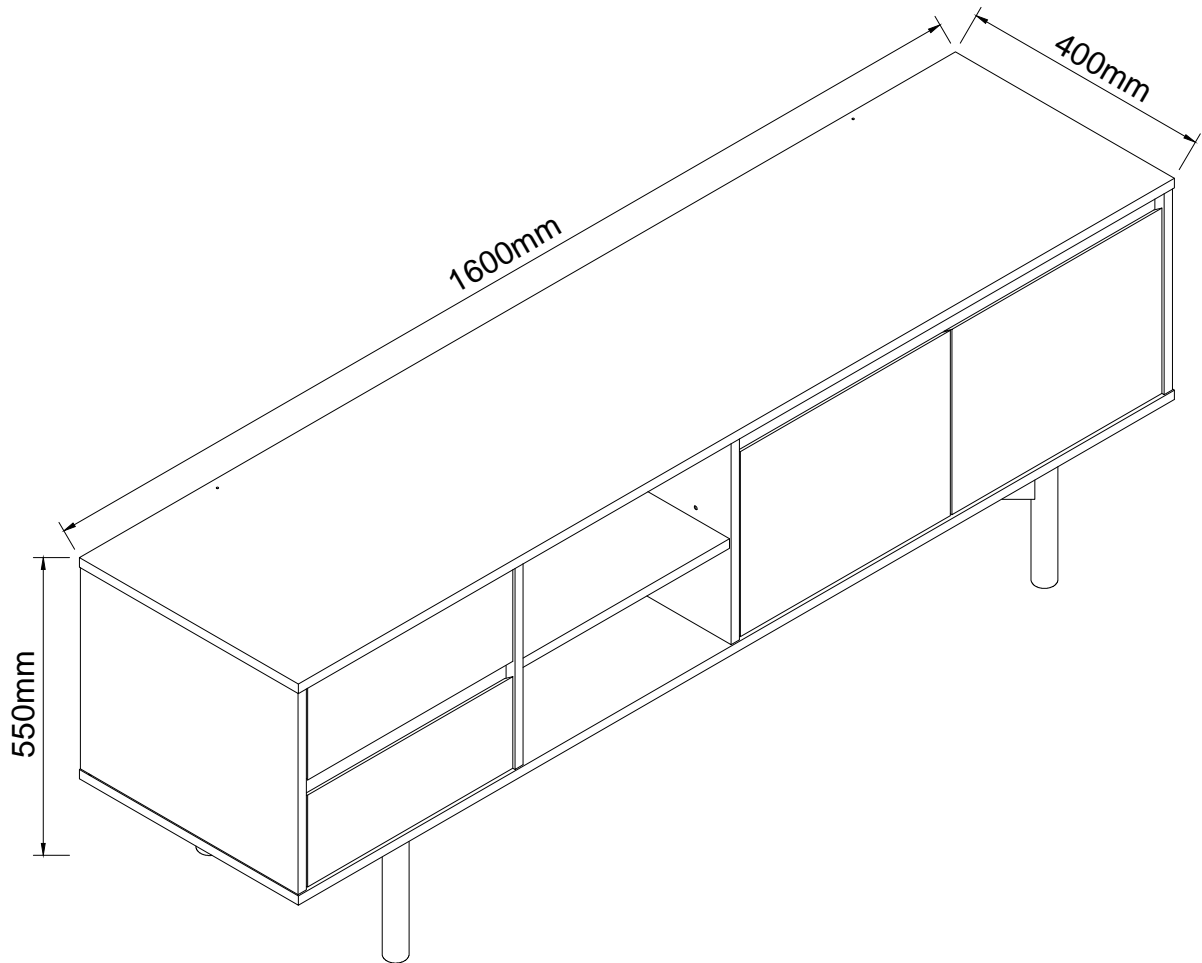


ASSEMBLY INSTRUCTION

BULLOCK

ENTERTAINMENT UNIT

ITEM CODE: 85236

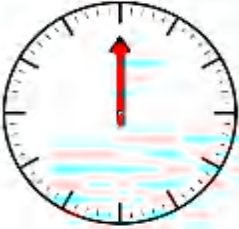

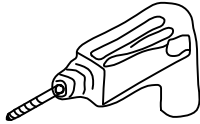

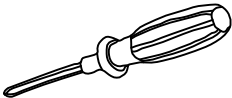



Imported by JWA Furniture Pty Ltd, Brisbane, QLD, Australia
For any assistance with assembly or for missing parts, please refer to your receipt

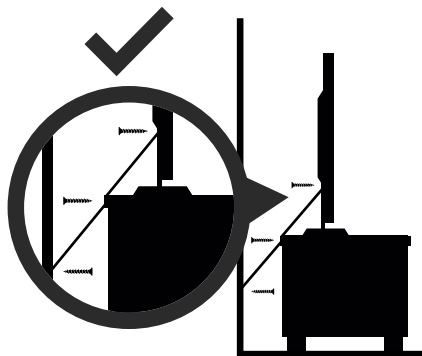
PRE-ASSEMBLY PREPARATION

Before you start:

1. Choose a clean, level, spacious assembly area. Avoid hard surfaces that may damage the product.
2. Take care when lifting. Product should be assembled as near as possible to the point of use.
3. Ensure that you have all required contents for complete assembly.
4. Always read the assembly instructions carefully before beginning assembly.
5. Keep all hardware parts and packaging out of reach of small children.
6. Do not over tighten the screws and bolts as this may damage the threads.
7. Assembly is to be carried out by a competent adult(s) ONLY.
8. During assembly, children should be kept away from the product due to possible risk to injury.
9. Do not use this item if any components are missing or damaged.
10. Please keep the instructions for future reference.

		IF REQUIRED 
Allow 60 min	For 2 person	Low speed (Ø6mm)
   ADDITIONAL TOOLS REQUIRED		

WARNING

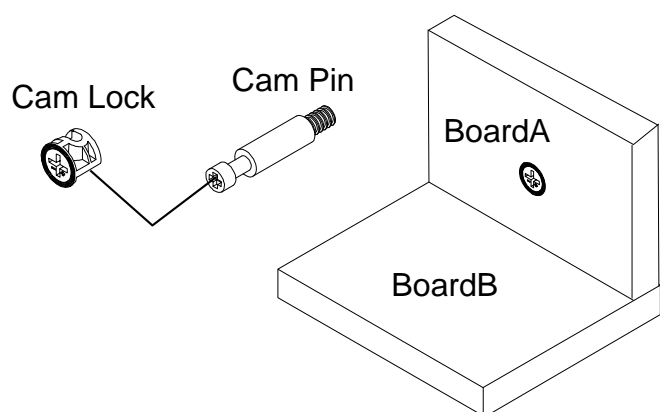


Children have died from furniture tipover.

- NEVER allow children to stand, climb or hang on drawers, doors, or shelves.
- ALWAYS secure your television with an anchor device or mount the television on a wall.

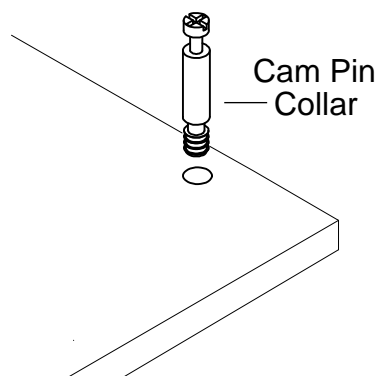
**This is a permanent label.
Do not remove!**

TO USE CAM LOCK FASTENERS



To assemble this product hardware called Cam Lock Fasteners are used. The below is information on how these work.

Cam Locks are fasteners used to join two boards together, usually the edge of one board (A) to the flat side of another board (B).

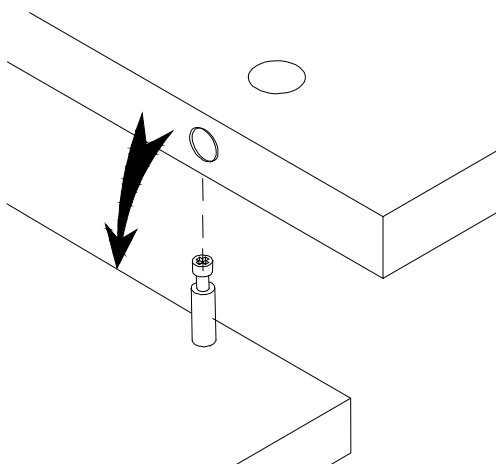


The Cam Pin is inserted into the flat side of a board, it is important that: The cam pin is kept vertical and is not put in on an angle.

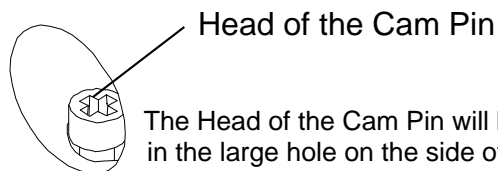
Cam pin is to be inserted up to collar

Too far and it wont catch the Cam Lock (Do Not Overtighten)

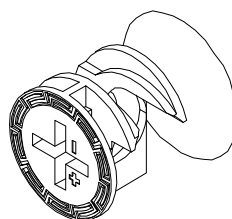
Not enough and the resulting product will not be stable.



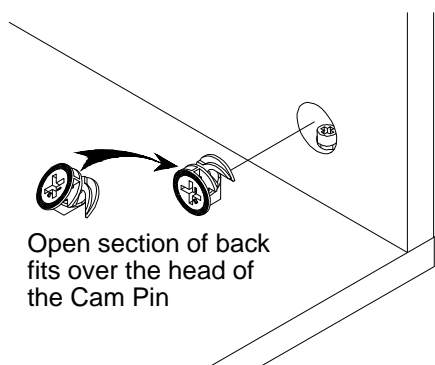
Now fit the hole in the edge of the joining board over the Cam Pin.



The Head of the Cam Pin will be visible in the large hole on the side of the joining board.

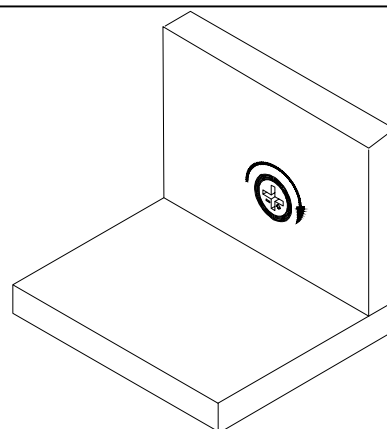


Notice the Cam Lock has a "C" Shaped Back. An arrow or +/- signs on the front indicate the open section on the back of the Cam Pin.

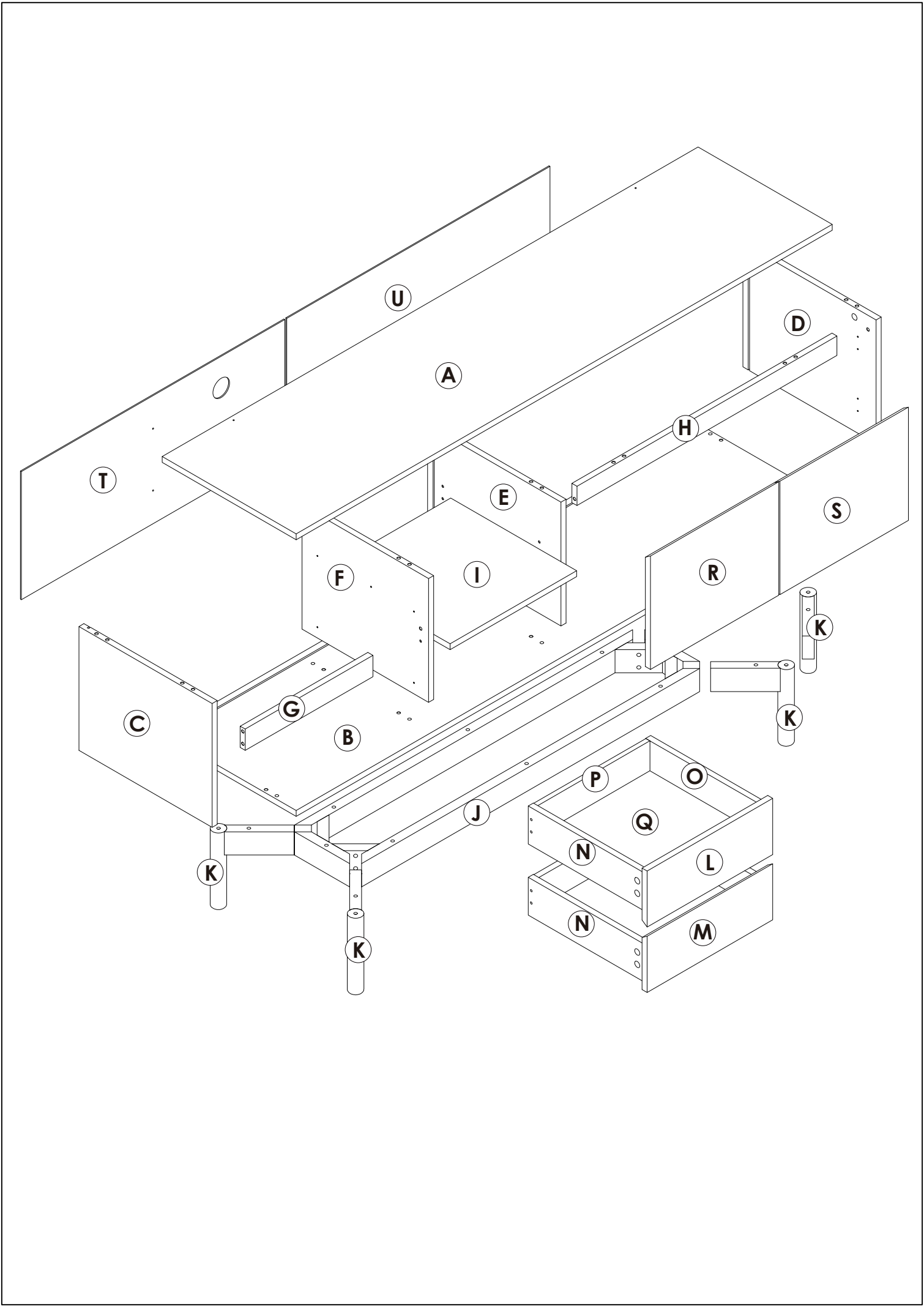


Open section of back fits over the head of the Cam Pin

Insert the Cam Lock into the large hole so the opening of the "C" fits over the head of the Cam Pin. You must ensure that the Cam Lock is pushed to the bottom of the hole to catch the top of the Cam Pin.



Use a Flat screwdriver to turn the Cam Lock clockwise one half turn so it locks onto the head of the Cam Pin. Turn only until it is snug. Over tightening could cause the Cam to bend or break. If it will not turn the full amount, turn the Cam Pin out (Counter-clockwise) one full turn, and try the Cam Lock again.



Item Code-85236


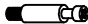



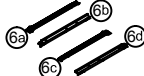


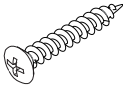

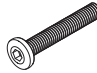
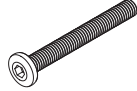

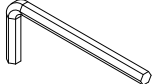

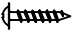

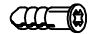

Box 1

Panel(Mark)	Packing carton	Quantily
A	(Box 1)	1PC
B	(Box 1)	1PC
H	(Box 1)	1PC
J	(Box 1)	1PC
K	(Box 1)	4PCS
T	(Box 1)	1PC
U	(Box 1)	1PC

Box 2

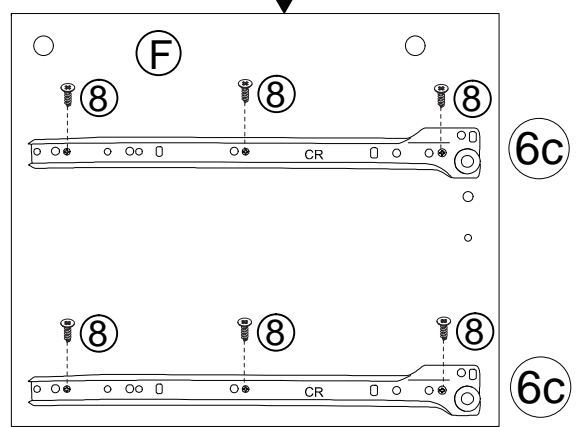
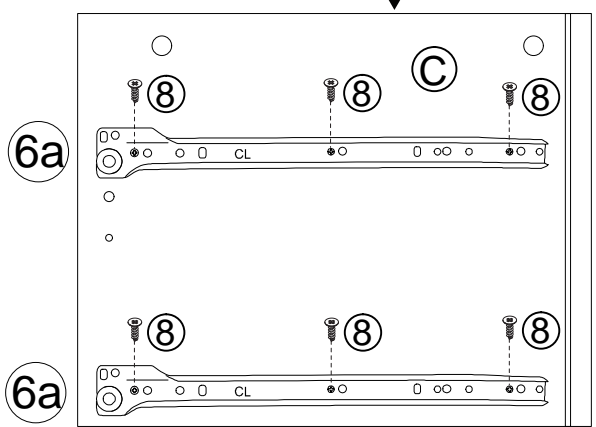
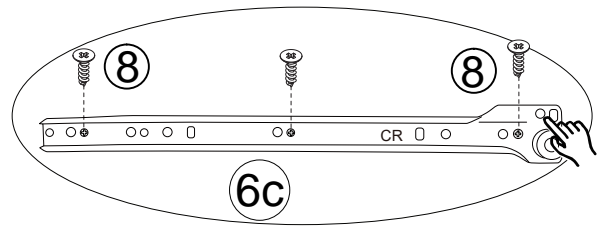
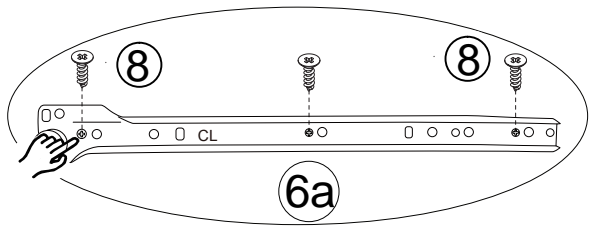
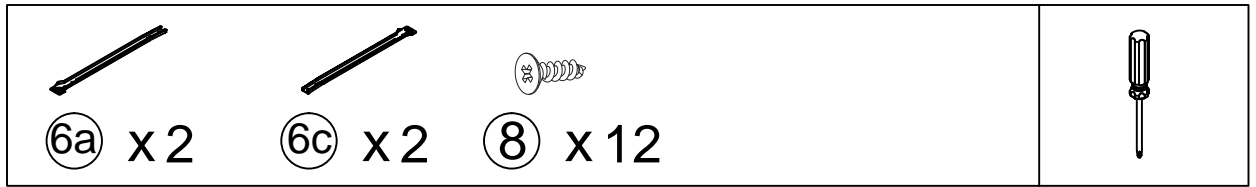
Panel(Mark)	Packing carton	Quantily
C	(Box 2)	1PC
D	(Box 2)	1PC
E	(Box 2)	1PC
F	(Box 2)	1PC
G	(Box 2)	1PC
I	(Box 2)	1PC
L	(Box 2)	1PC
M	(Box 2)	1PC
N	(Box 2)	2PCS
O	(Box 2)	2PCS
P	(Box 2)	2PCS
Q	(Box 2)	2PCS
R	(Box 2)	1PC
S	(Box 2)	1PC

Please note - All Hardware in box 2.

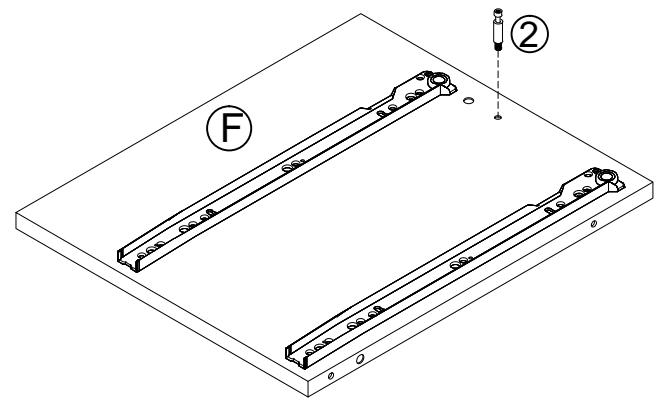
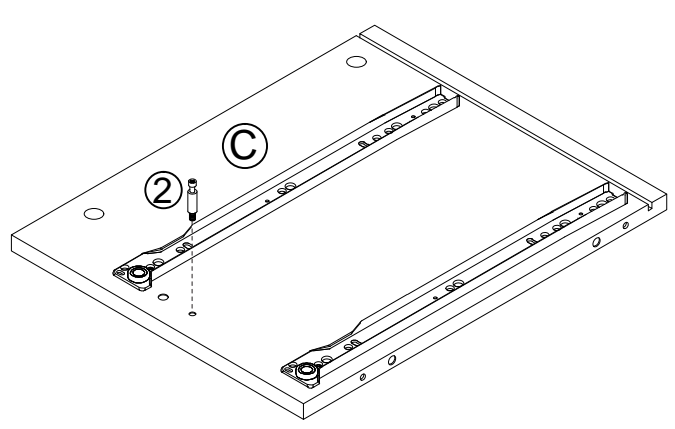
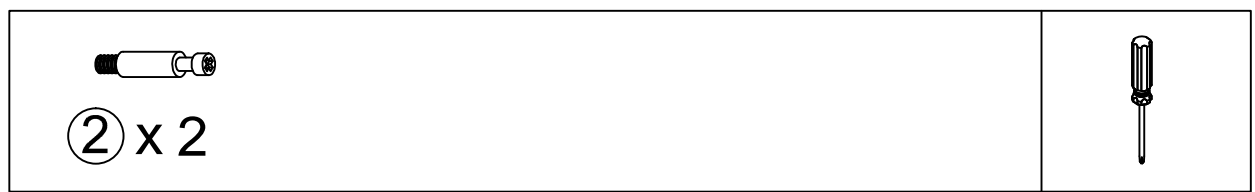
① 20 PCS  Ø15x12 mm	② 20 PCS  Ø6x34mm	③ 26 PCS  Ø8x30mm	④ 8 PCS  Ø6.3x50mm	⑤ 14 PCS  14"	⑥ 2 Sets  14"	⑦ 4 PCS 
⑧ 38 PCS  M3.5x14mm	⑨ 8 PCS  Ø8xØ4x33mm	⑩ 16 PCS  M4x14mm	⑪ 8 PCS  M6x35mm	⑫ 12 PCS  M6x50mm	⑬ 4 PCS  Ø5 x 22 x17x 9 mm	⑭ 1 PC  M4
⑮ 2 PCS  Ø9 x Ø3 x 14 mm	⑯ 2 PCS  Ø9xØ4x25mm	⑰ 2 PCS  20x40x1.2mm	⑱ 2 PCS  Ø9xØ6 x25mm	⑲ 2 PCS  Ø9xØ4x15mm		



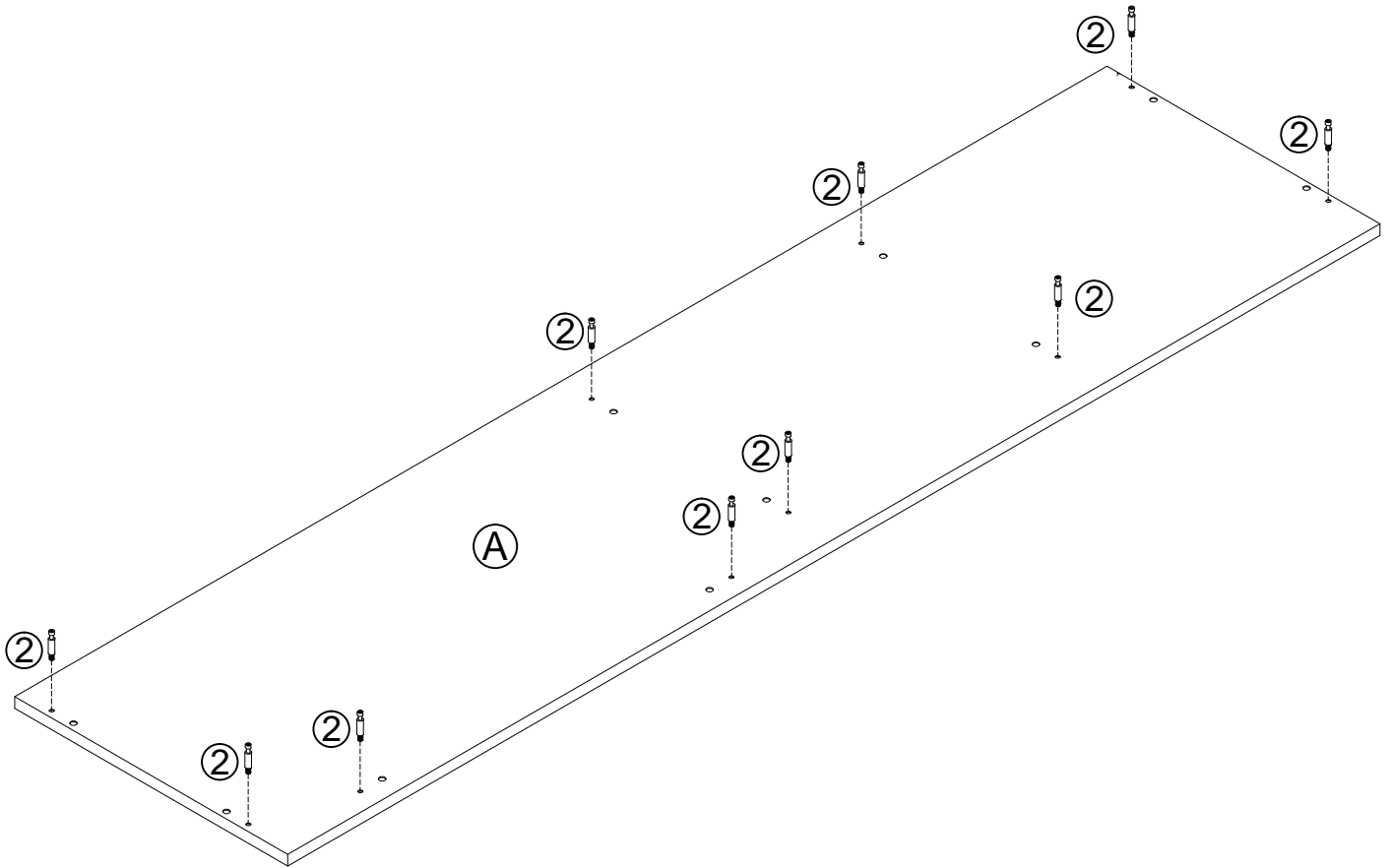
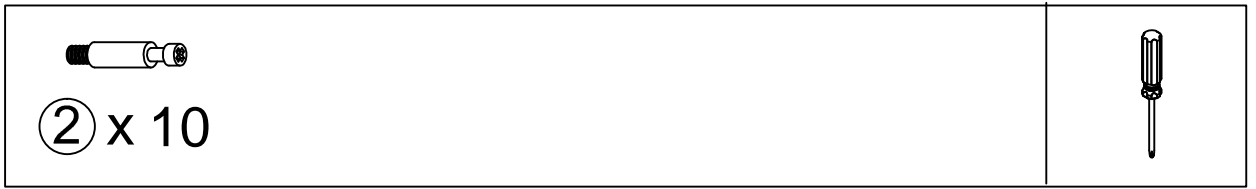
1



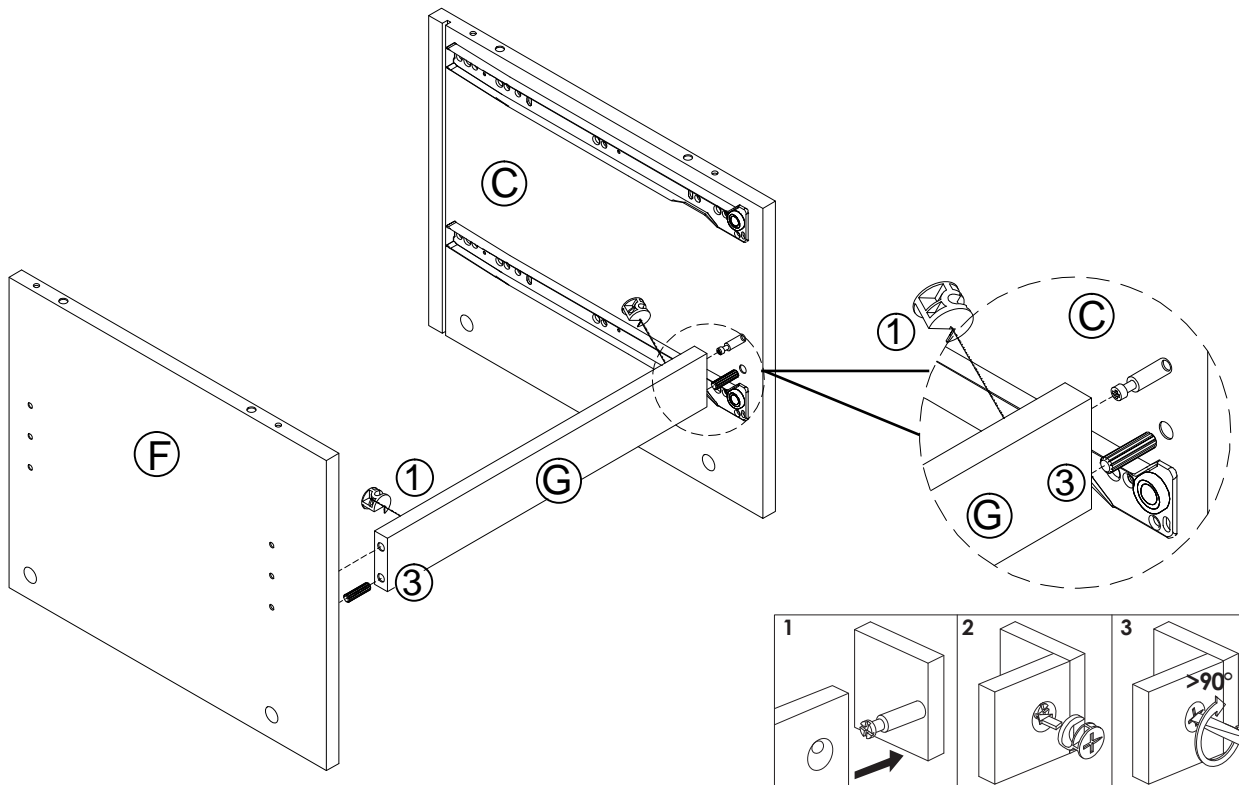
2



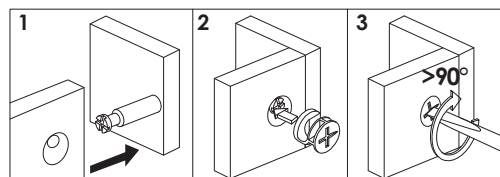
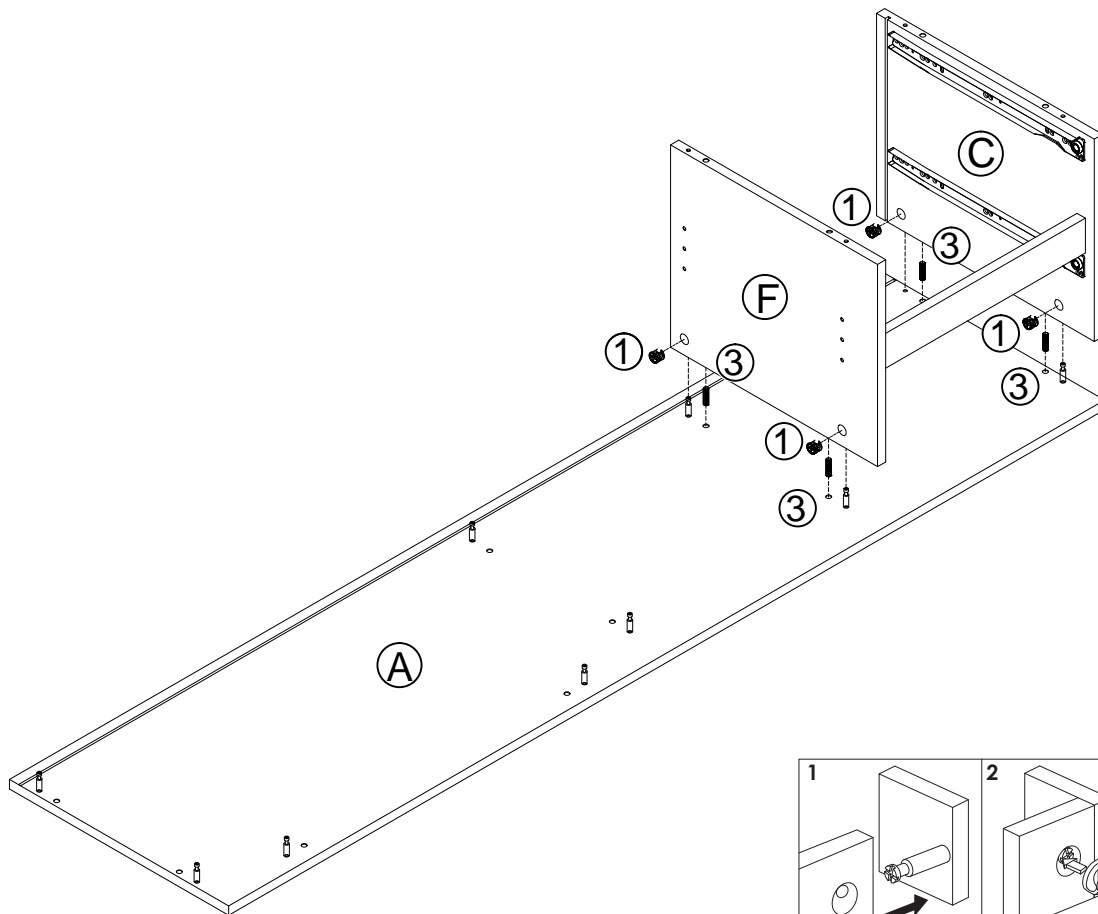
3



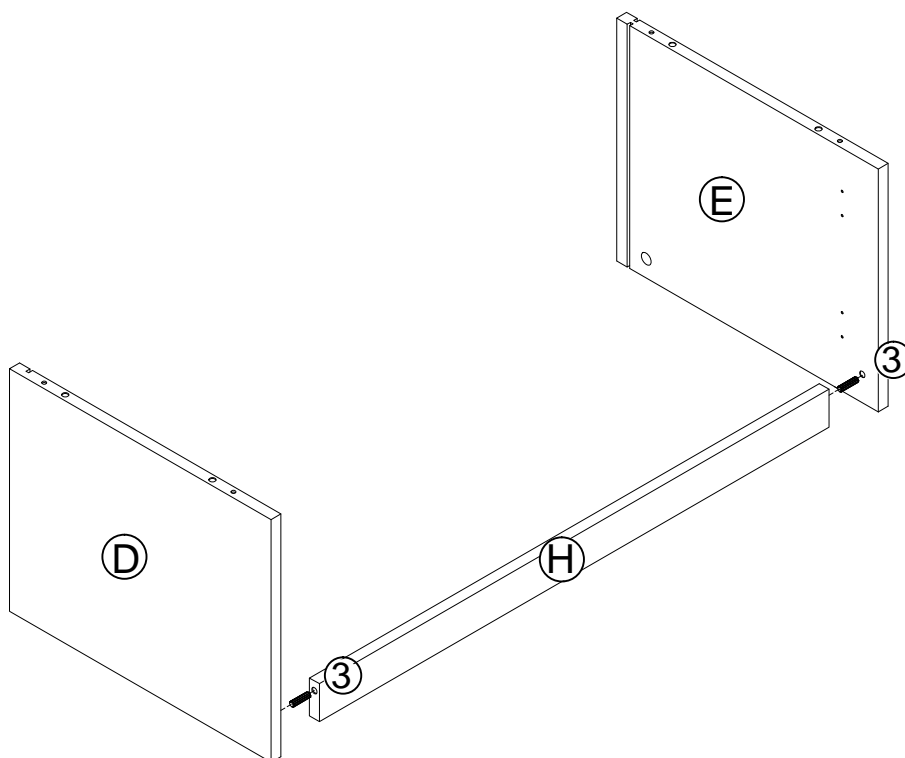
4



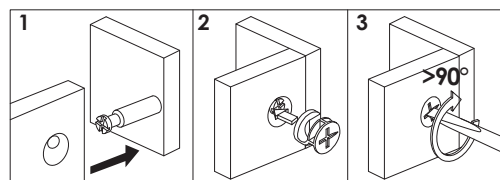
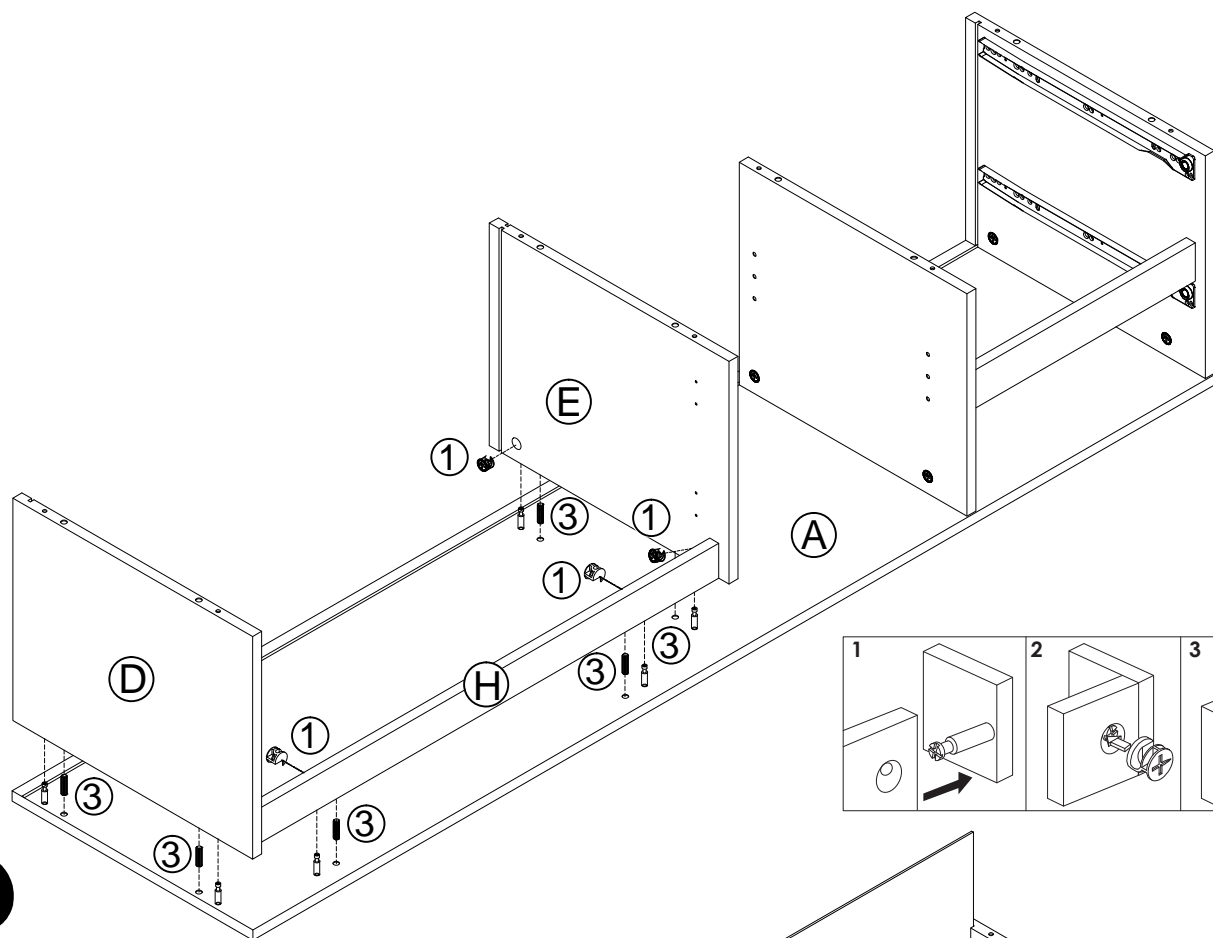
5



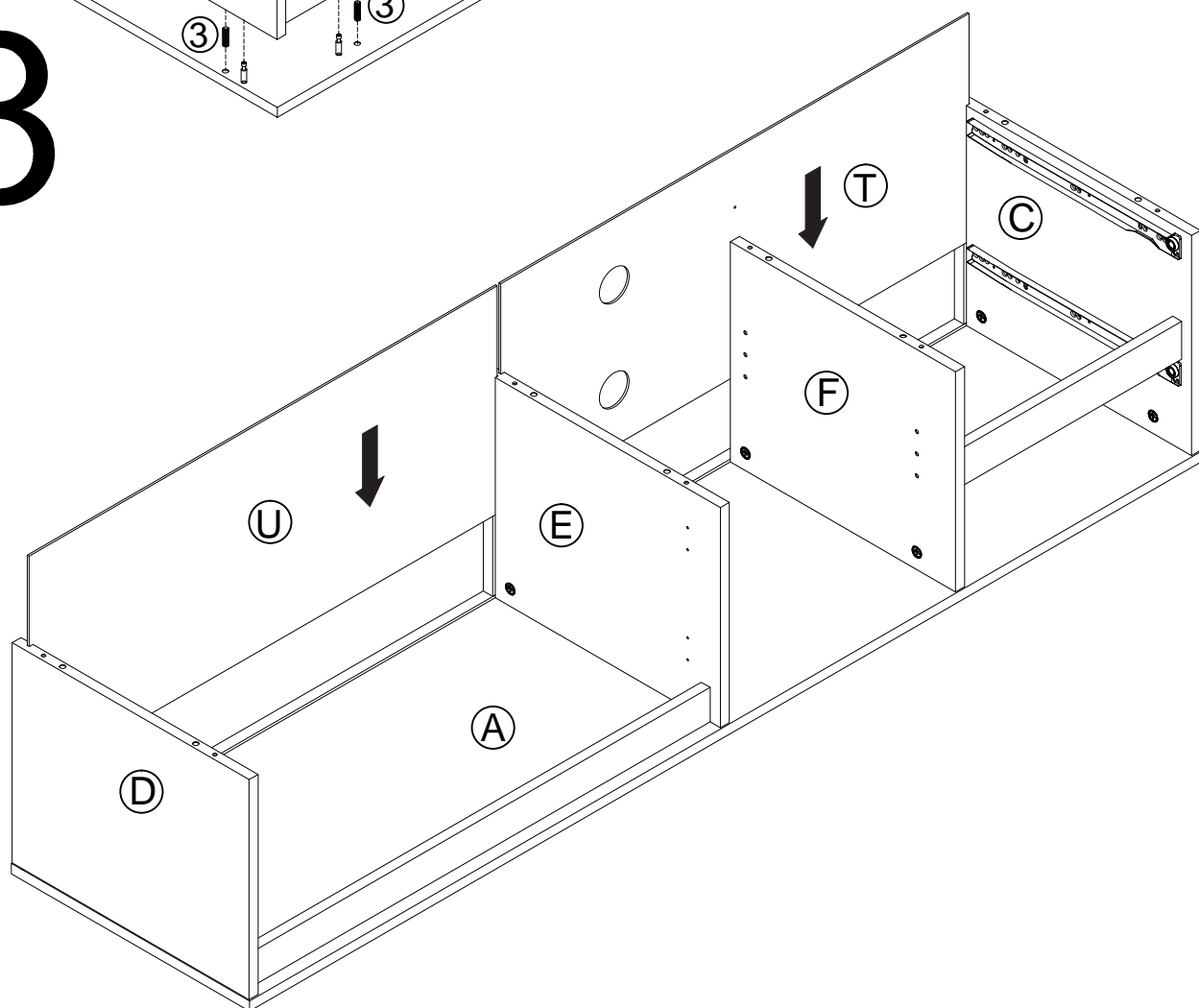
6



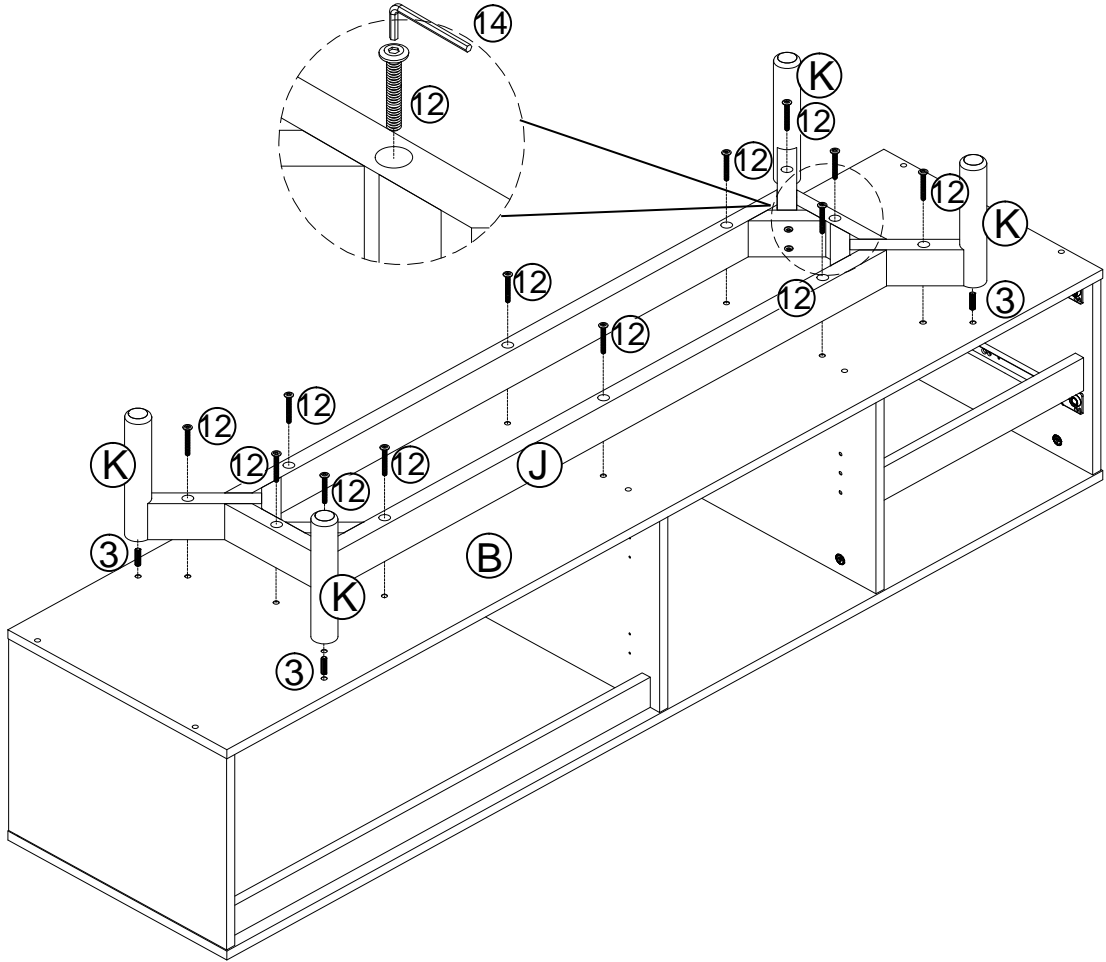
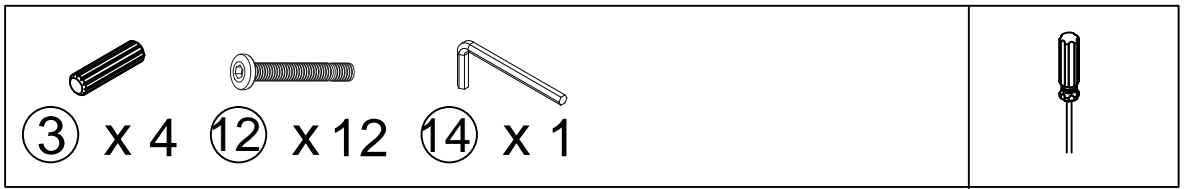
7



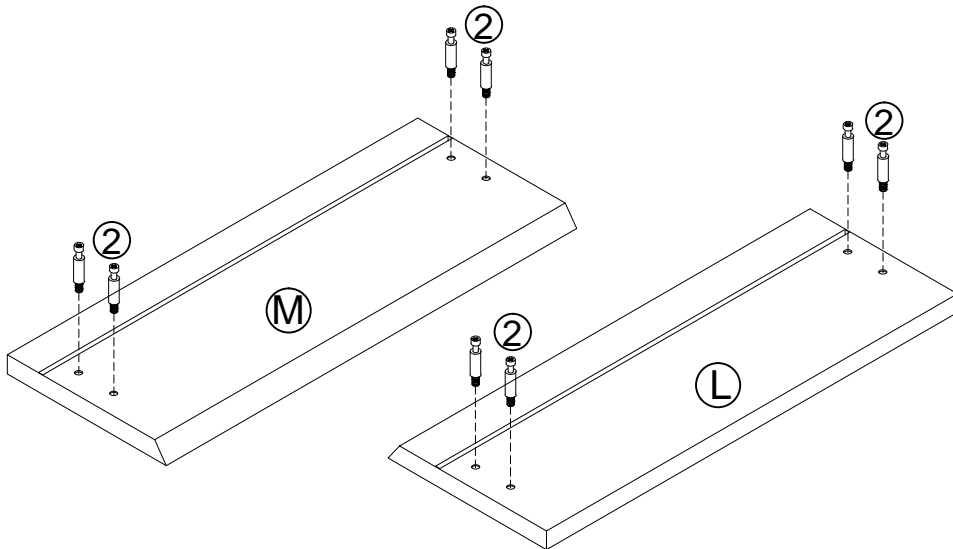
8



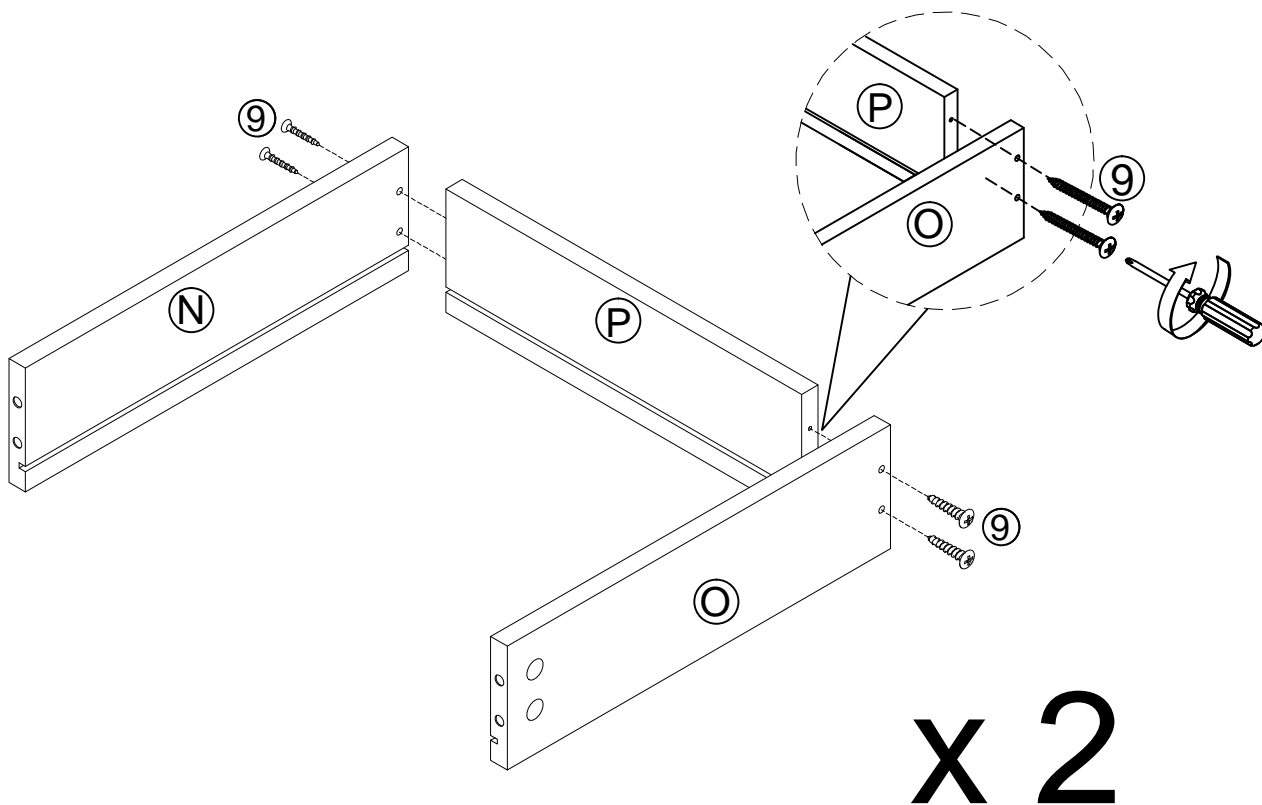
11



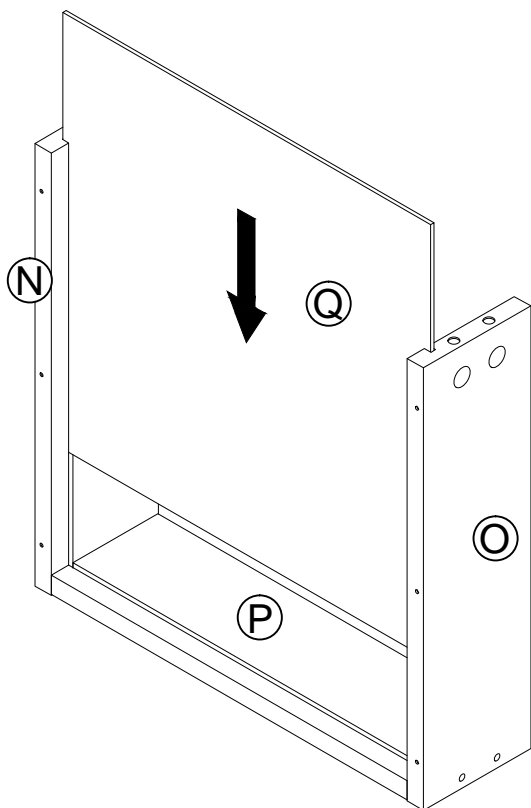
12



13

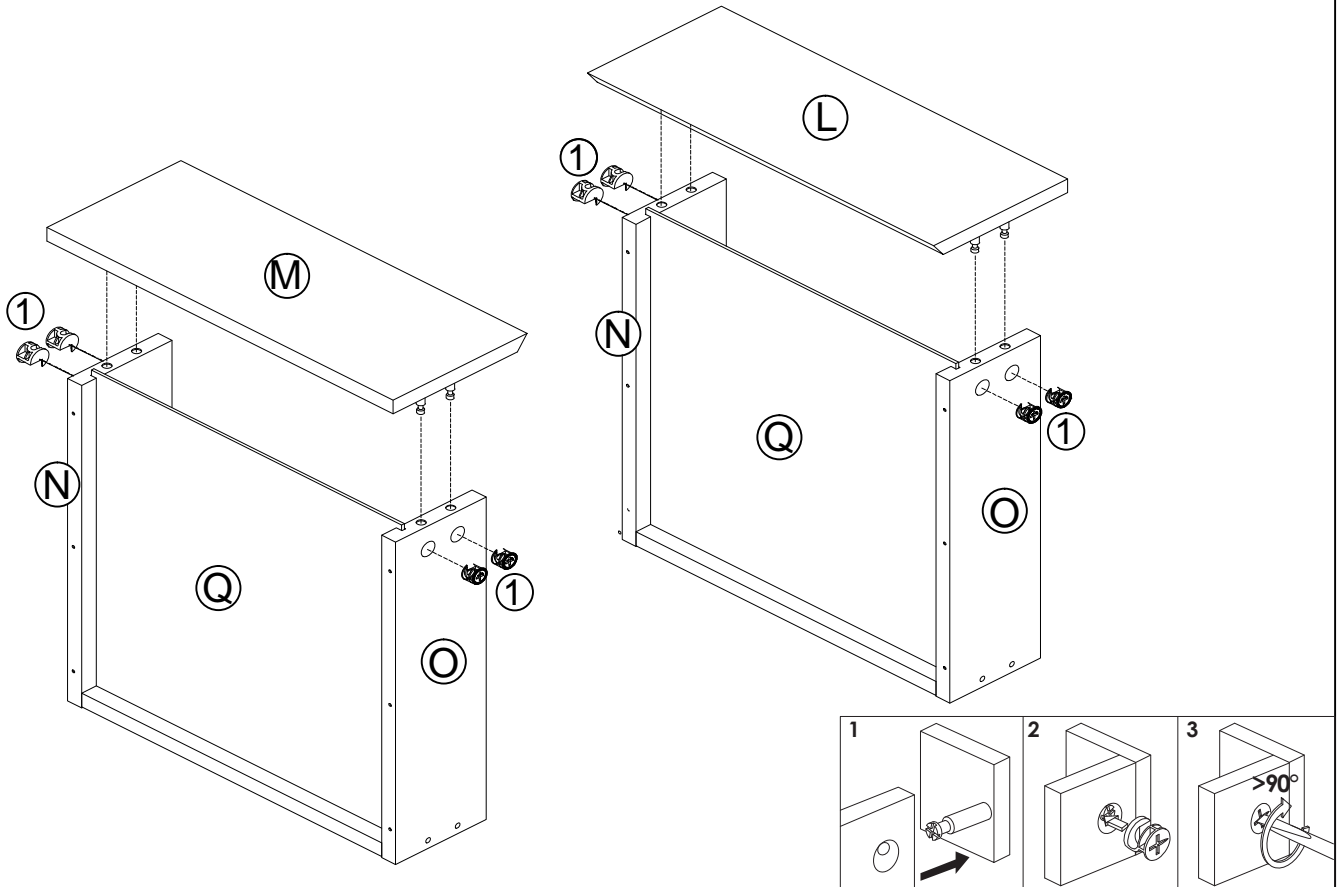


14



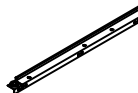
15



① x 8

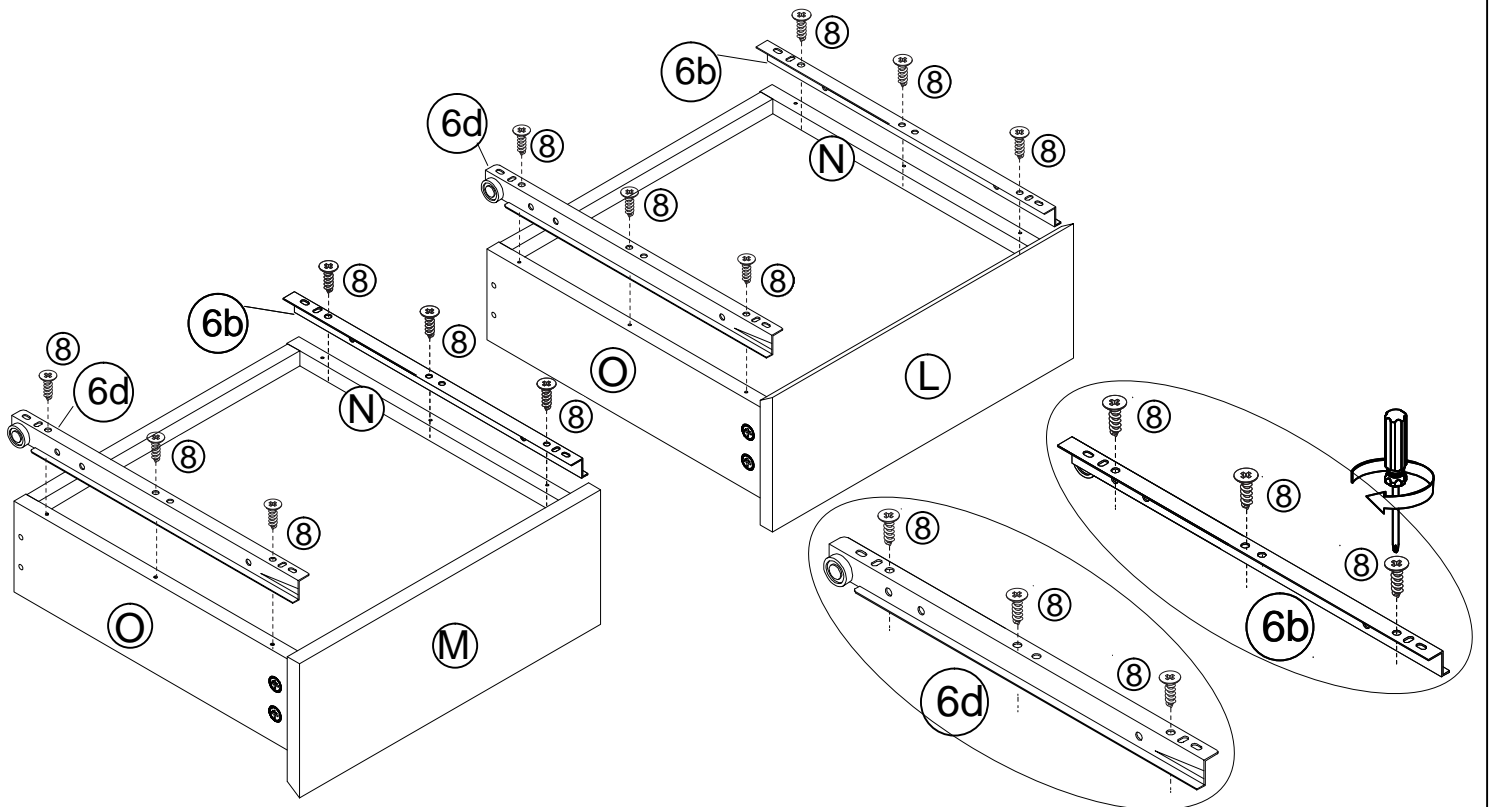


16


⑧ x 12

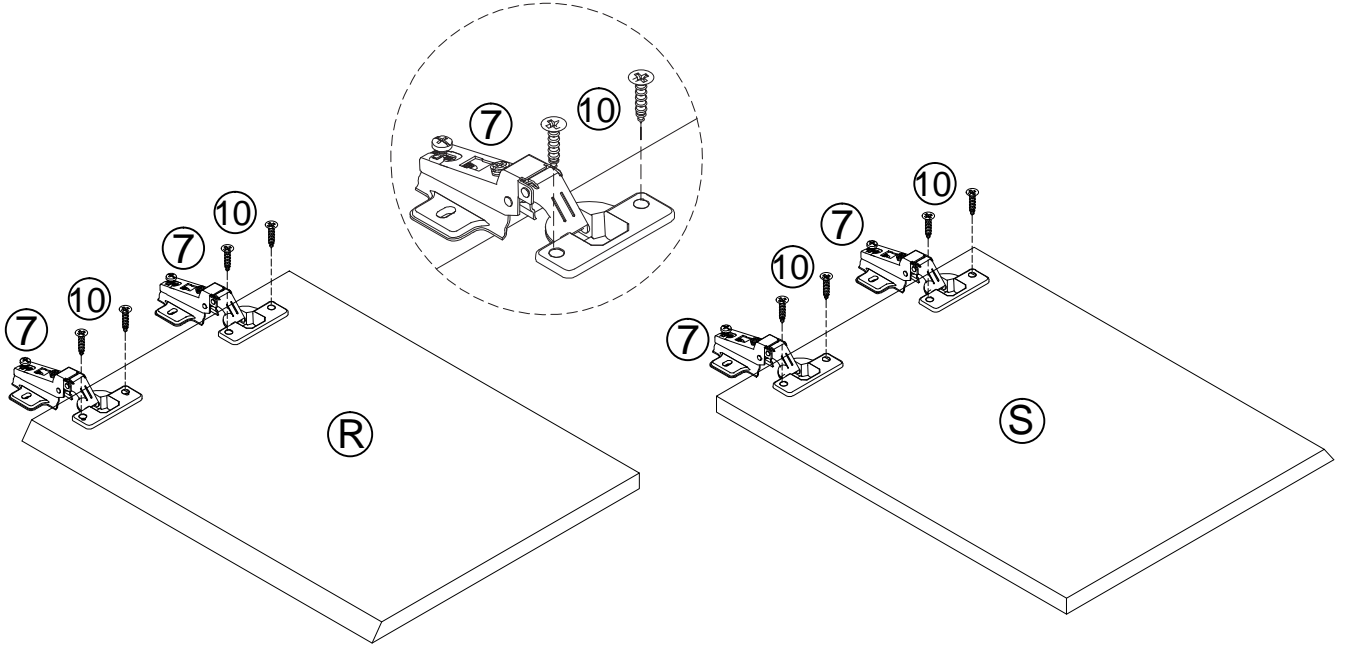

⑥b x 2


⑥d x 2





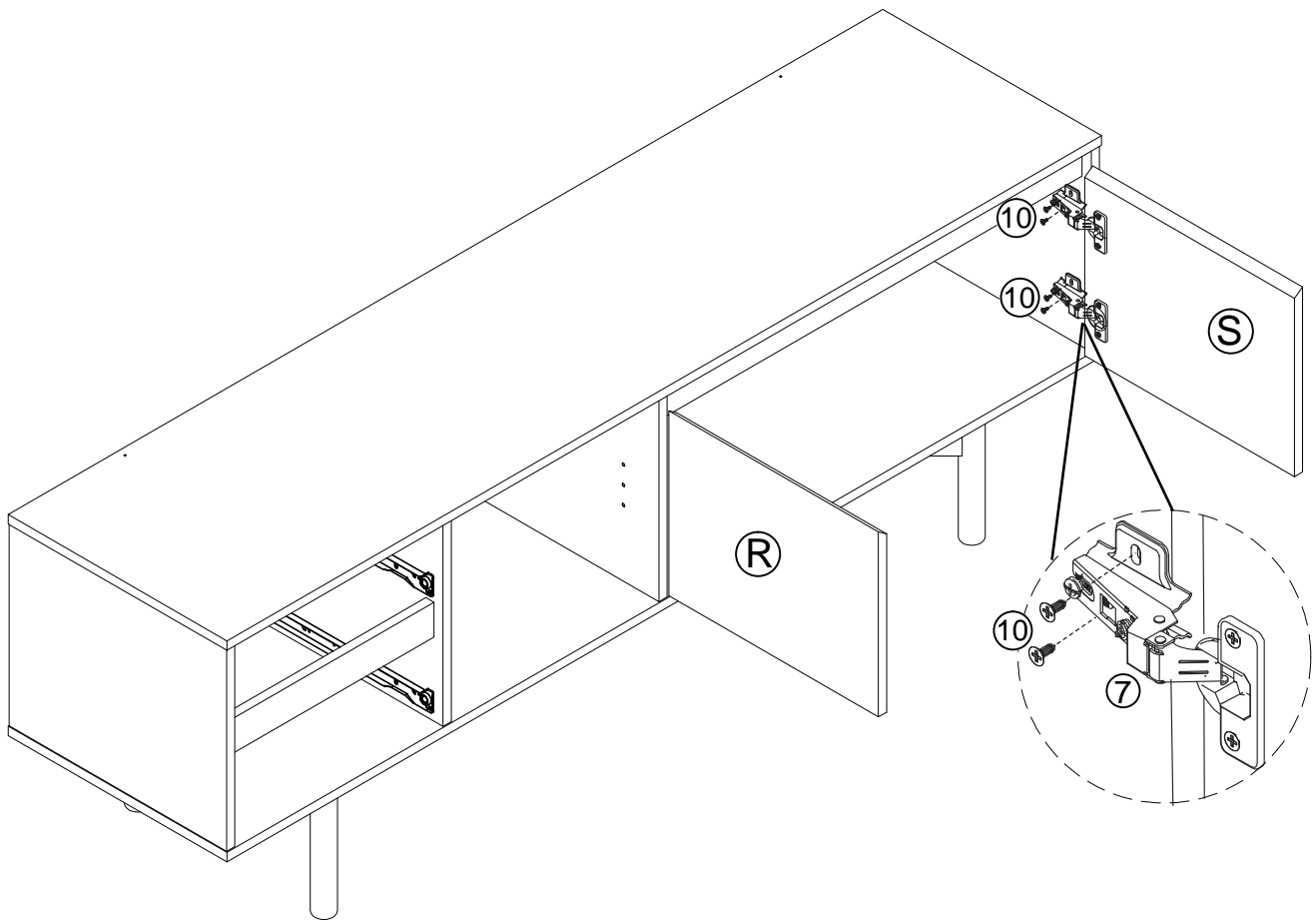
17

 ⑦ x 4 ⑩ x 8	
---	---



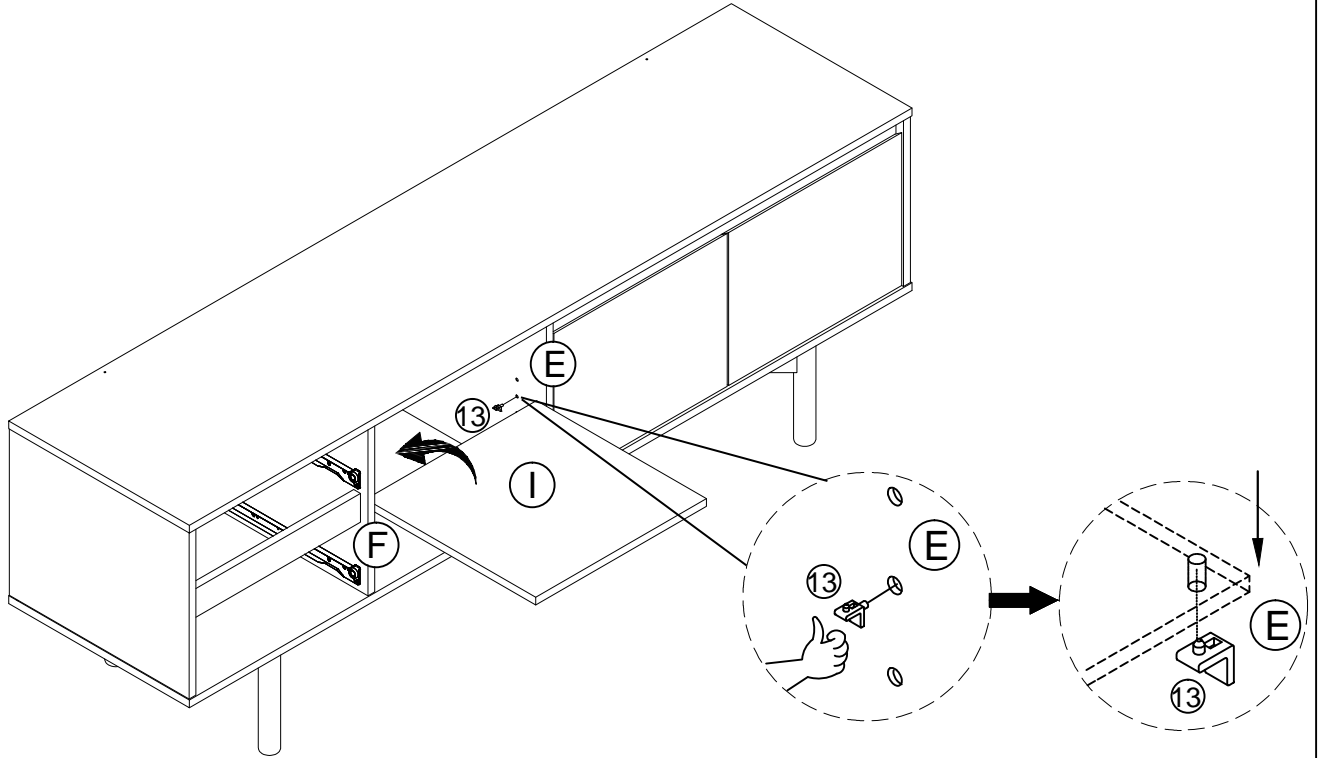
18

 ⑩ x 8	
--	---

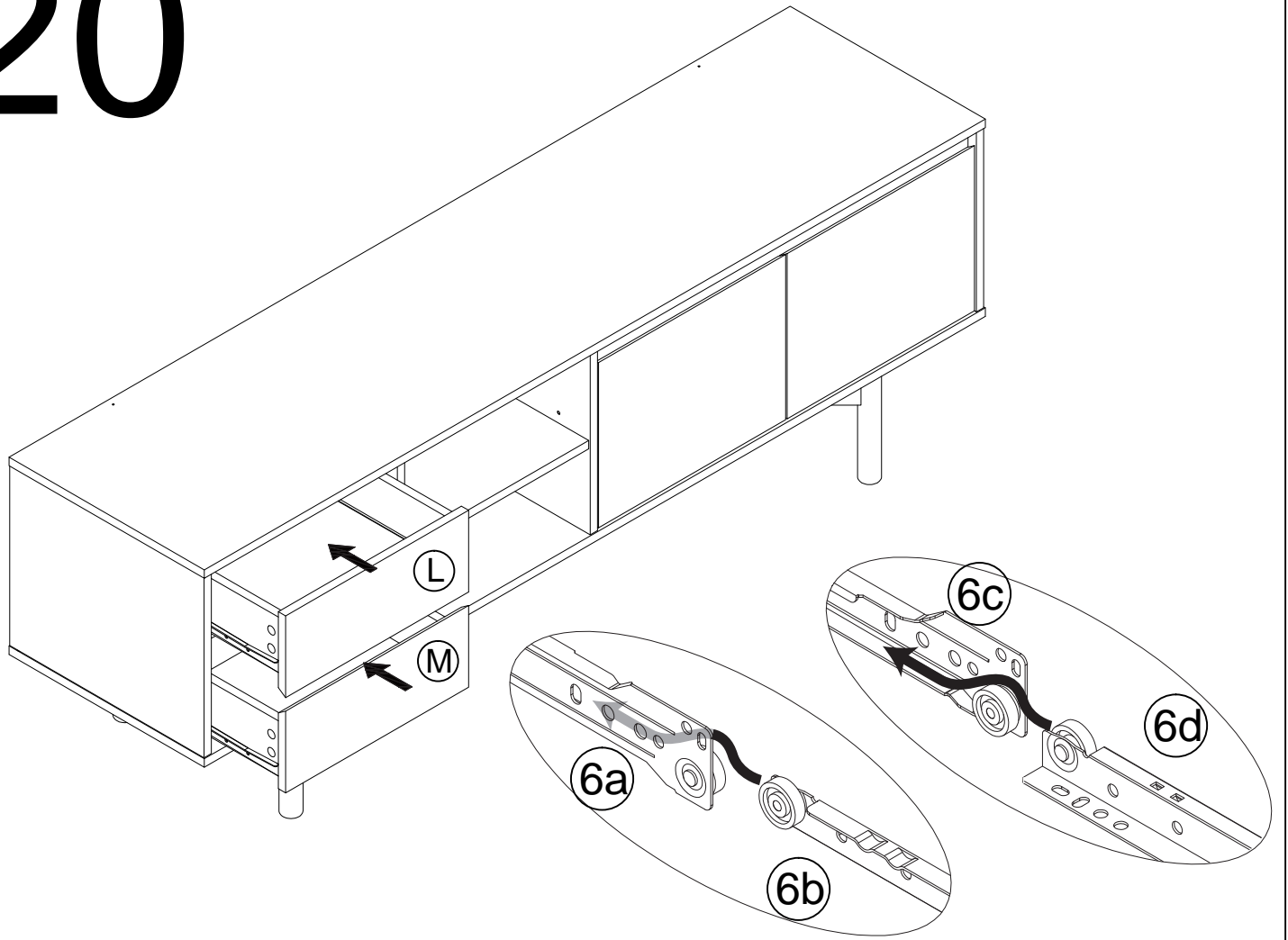


19





 ⑬ X 4	
--	---

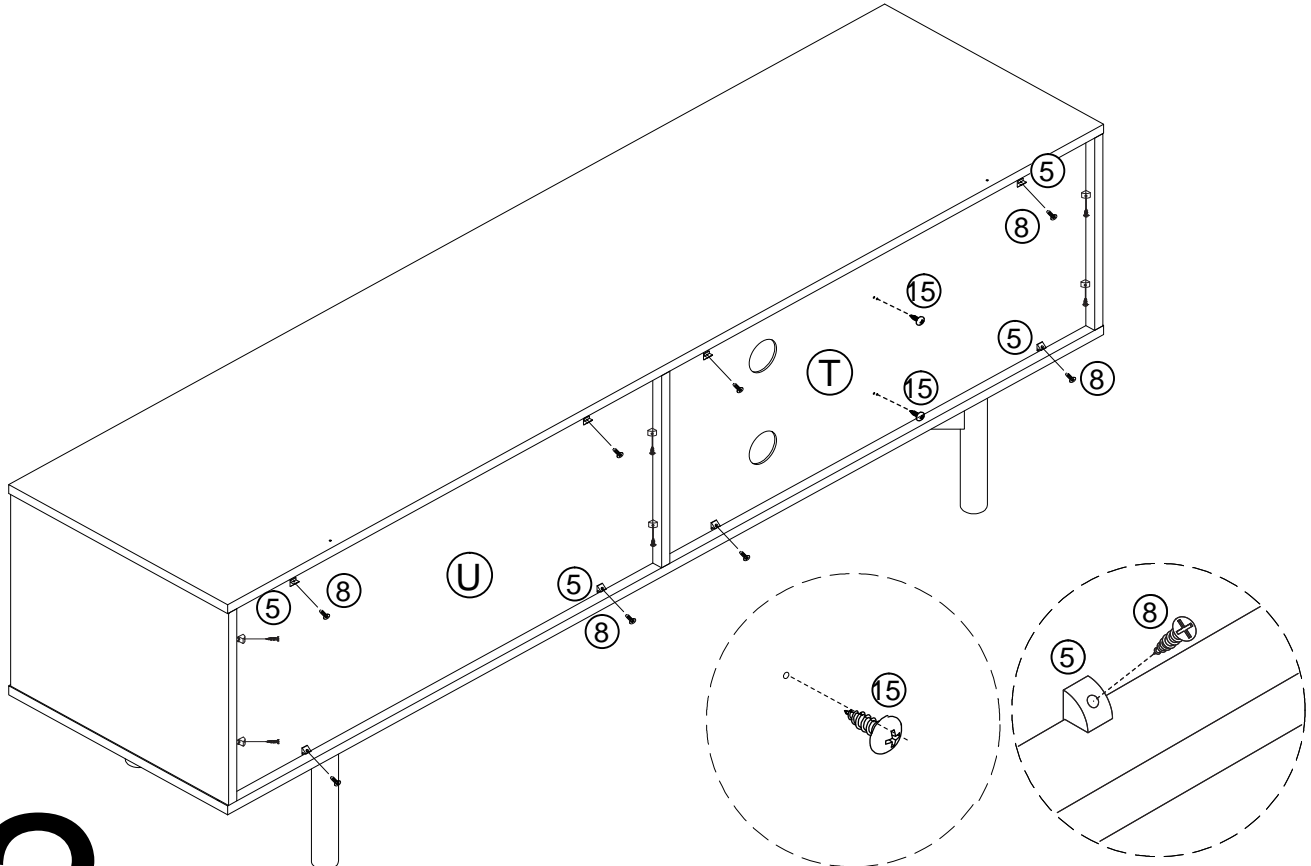


20

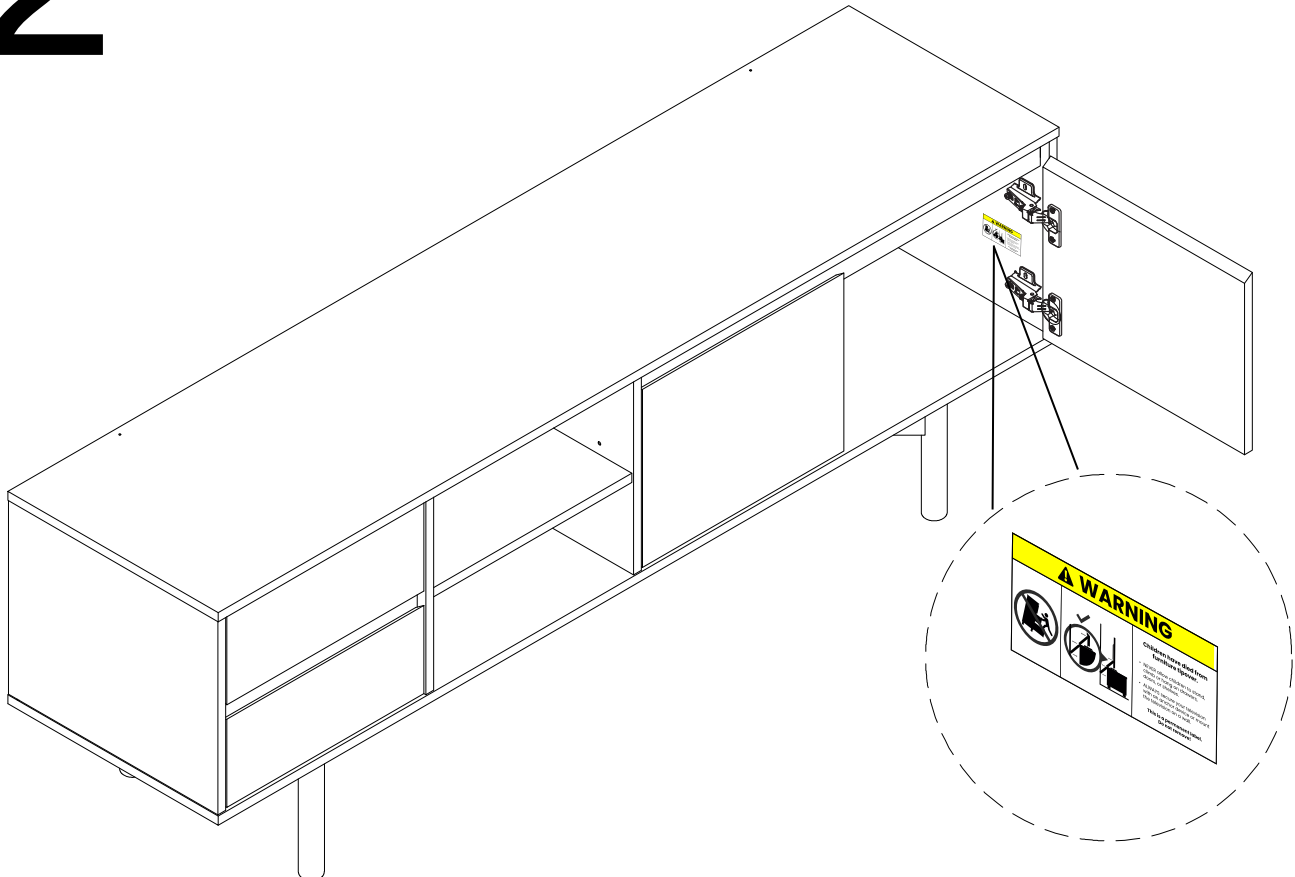


21

 ⑮ x 2	 ⑤ x 14	 ⑧ x 14	
--	---	---	---

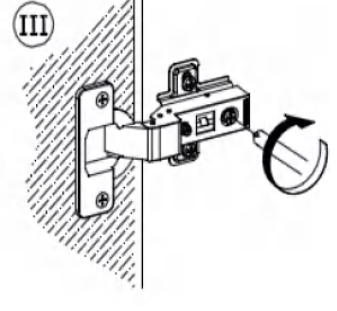
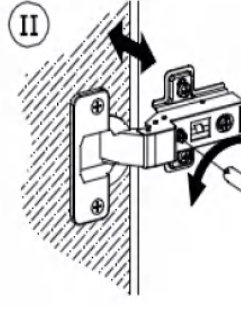
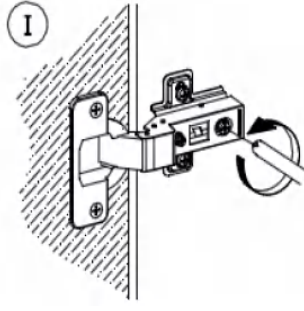
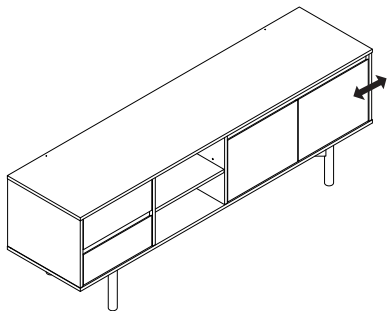
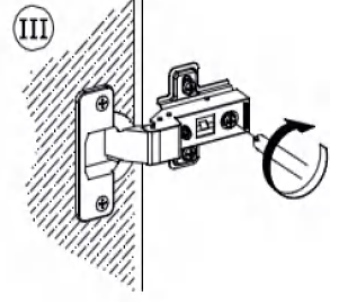
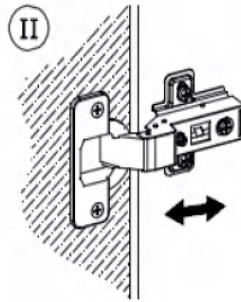
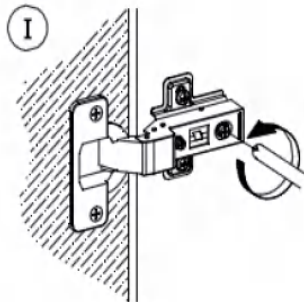
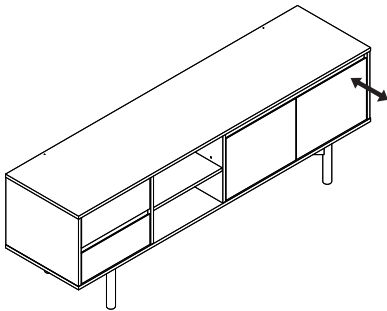
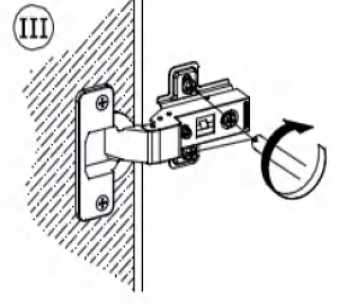
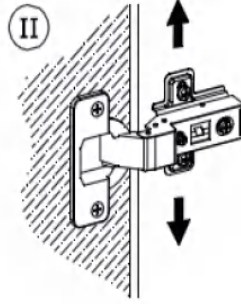
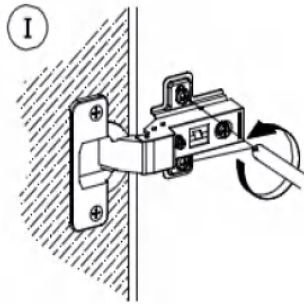
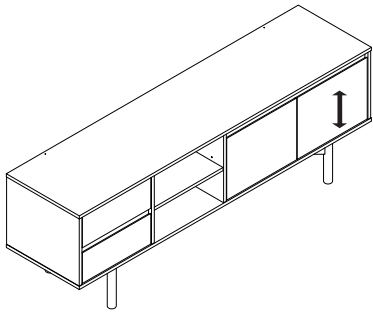


22



23

If there is misalignment after you install, adjust the screw to the best condition



SAFETY BRACKETS INSTRUCTIONS

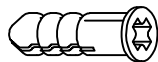
This furniture poses a tipping risk and as such must be secured to a wall using the provided tipping kit.

1. Attach one Mounting plate to the wall with the Large screws. Make sure to attach the Mounting Plate into a stud. If mounting into brick or masonry you will need to acquire wall anchors. Please enquire with your local hardware supplier for appropriate fixings.
2. Attach the second Mounting Plate to the furniture frame with the Short screws .
3. Move the furnituer to its final position. Thread a Wall Strap through the both Mounting Plated and tighten until snug. Do not over tighten.
4. Make sure that the Mounting Plated are firmly attached to the wall and furnituer and that the Wall Strap is snug.

HARDWARE



2 PCS
20 x 40 x 1.2mm
Wall Bracket



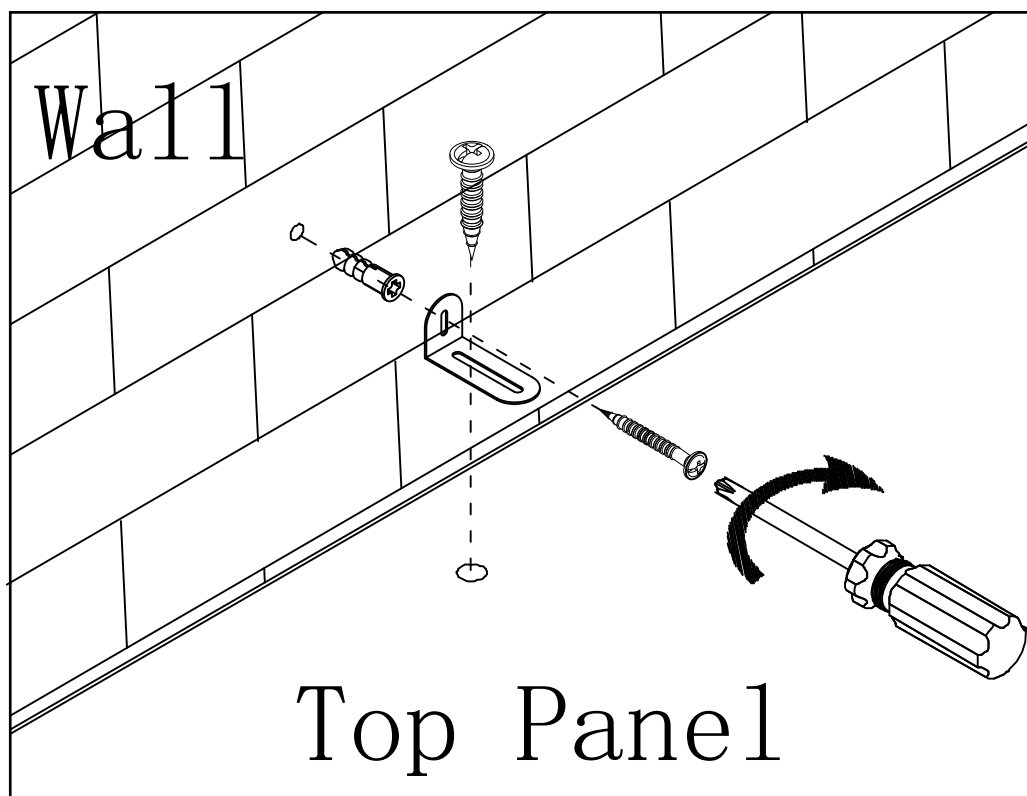
2 PCS
Ø9 x Ø6 x 25mm
Plastic Screw



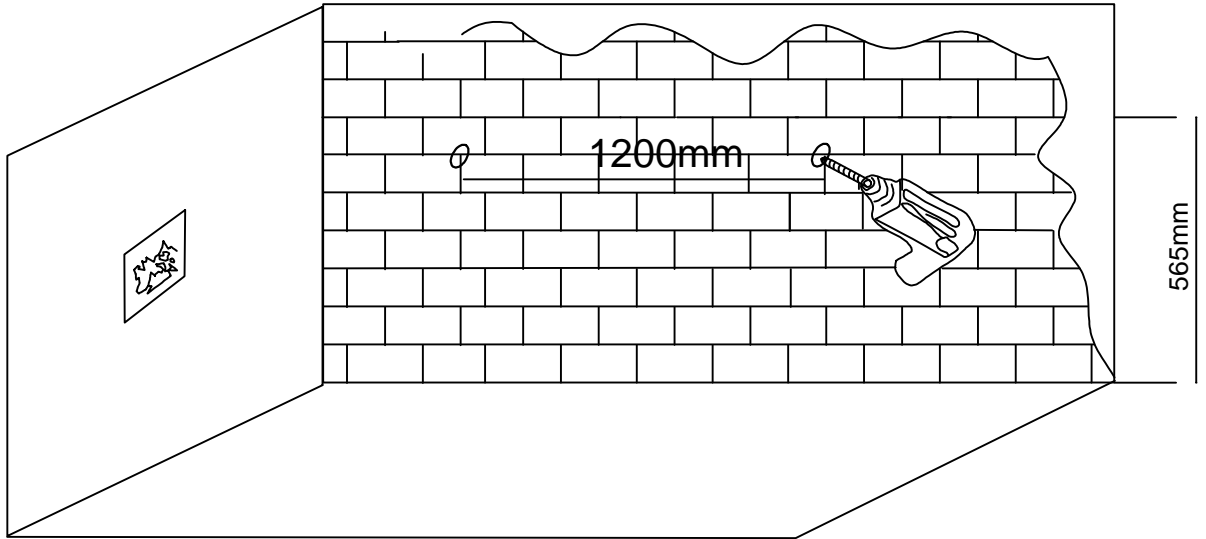
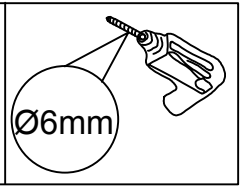
2 PCS
Ø9 x Ø4 x 15mm
Screw



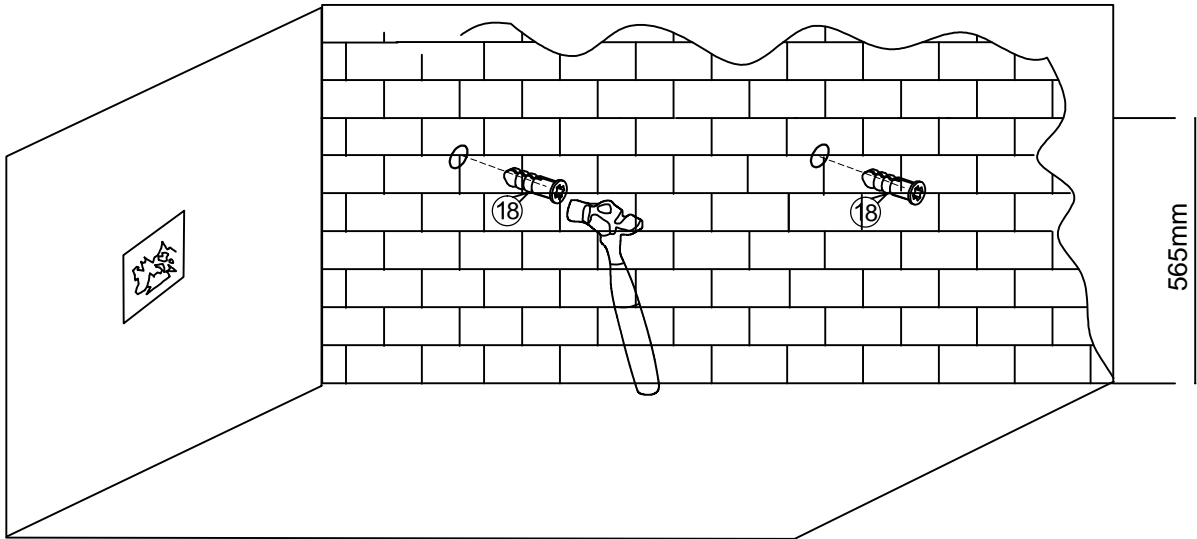
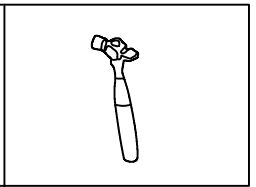
2 PCS
Ø9 x Ø4 x 25mm
Screw



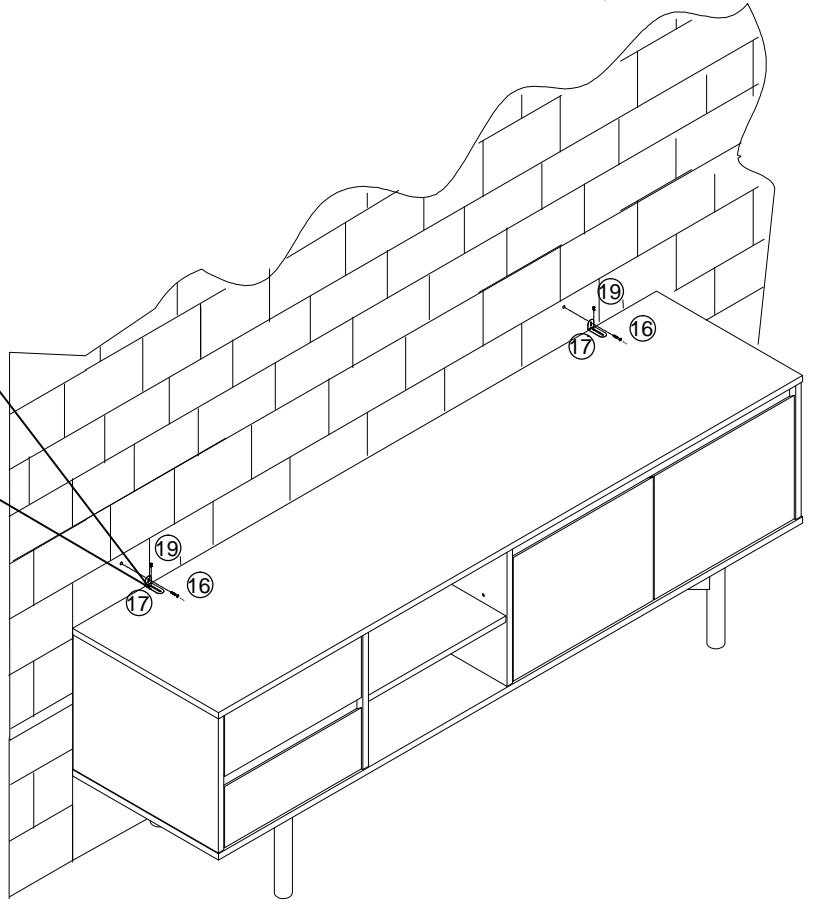
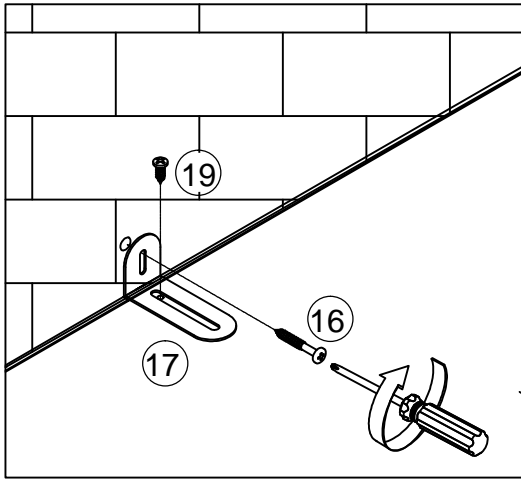
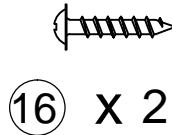
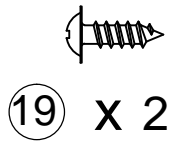
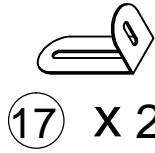
24



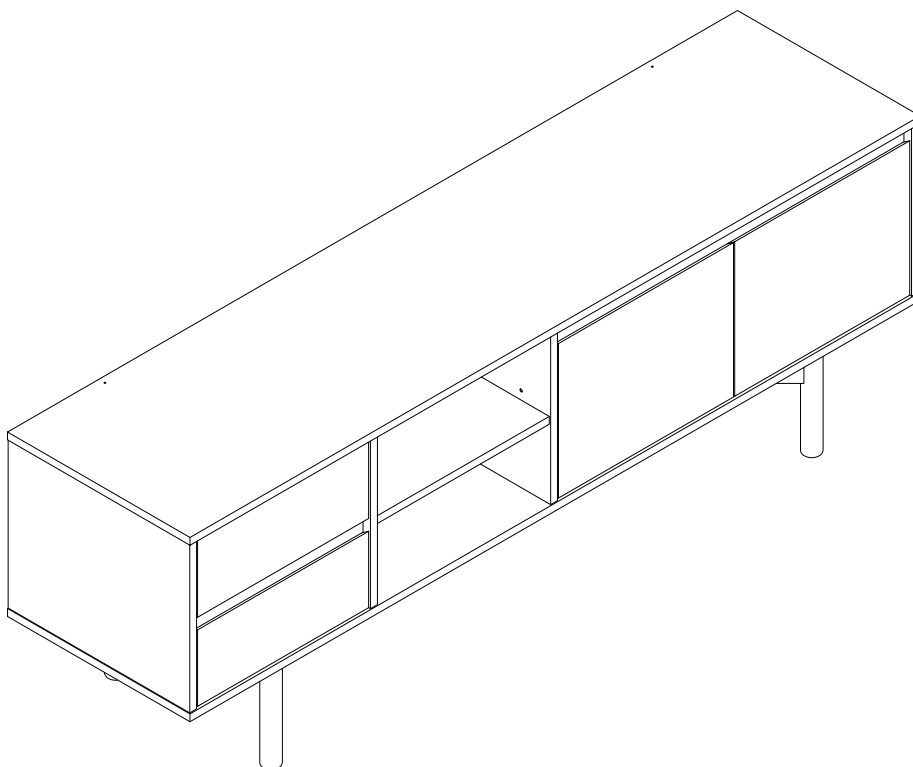
25



26



ASSEMBLY IS COMPLETE



To protect your furniture, we suggest the following:

- Avoid placing your furniture in direct sunlight.
- Do not place furniture directly under windows.
- Do not place sharp materials (knife, fork, etc.) directly onto your furniture as sharp material may scrape and damage the finish.
- Do not place material with high temperature directly onto the surface surface of furniture.
- Clean up spills quickly. Water left over a prolonged period of time may cause damage. Alcohol, perfume, nail polishes, aftershave and some medication may cause severe finish damage if not cleaned immediately.
- Use a clean, soft, dry, lint free absorbent cloth to clean your furniture. Do not use any detergent as they may contain ingredients that may react and damage the finish.
- **NOTE:** If the above care advise is not adhered to your product warranty may become void.